

STAINLESS STEEL 316L PRESS FIT FITTINGS

COMPLY WITH BSEN1254-2: 1998

FLANGE SOCKET

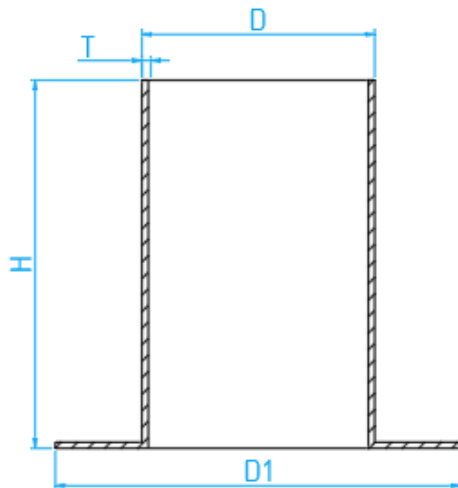


A Product of the nPressGuard® Solution

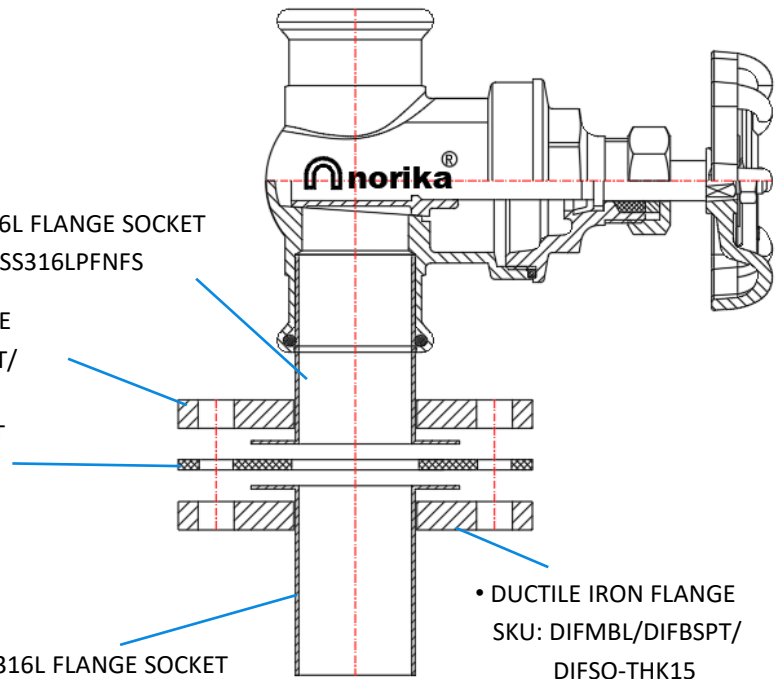


- SS316L FLANGE SOCKET
SKU:SS316LPFNFS

- DUCTILE IRON FLANGE
SKU: DIFMBL/DIFBSPT/
DIFSO-THK15
- EPDM RUBBER GASKET
SKU: RFGN-PUB



CROSS SECTIONAL VIEW



- SS316L FLANGE SOCKET
SKU:SS316LPFNFS

- DUCTILE IRON FLANGE
SKU: DIFMBL/DIFBSPT/
DIFSO-THK15

INSTALLATION ASSEMBLY

STANDARD SPECIFICATION

Working Pressure	16 Bar
Working Temperature	0 ~ 85°C
Applications	Hot and cold potable water system.

DIMENSIONS

SKU	DN (mm)	D (mm)	D1 (mm)	H (mm)	T (mm)	WEIGHT (kg)	PCS/CTN
SS316LPFNFP042	42	42.07	97	90	1.5	0.265	30
SS316LPFNFP050	54	54.07	107	100	1.5	0.352	45
SS316LPFNFP065	67	66.75	127	140	1.8	0.635	19
SS316LPFNFP080	76	76.30	142	150	2.0	0.780	14
SS316LPFNFP100	108	108.25	160	190	2.0	1.180	8